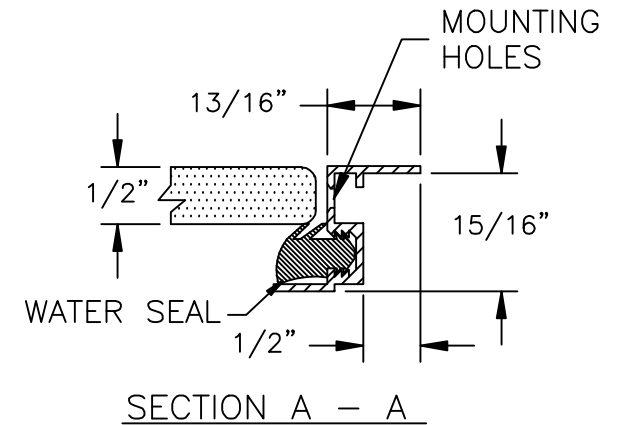
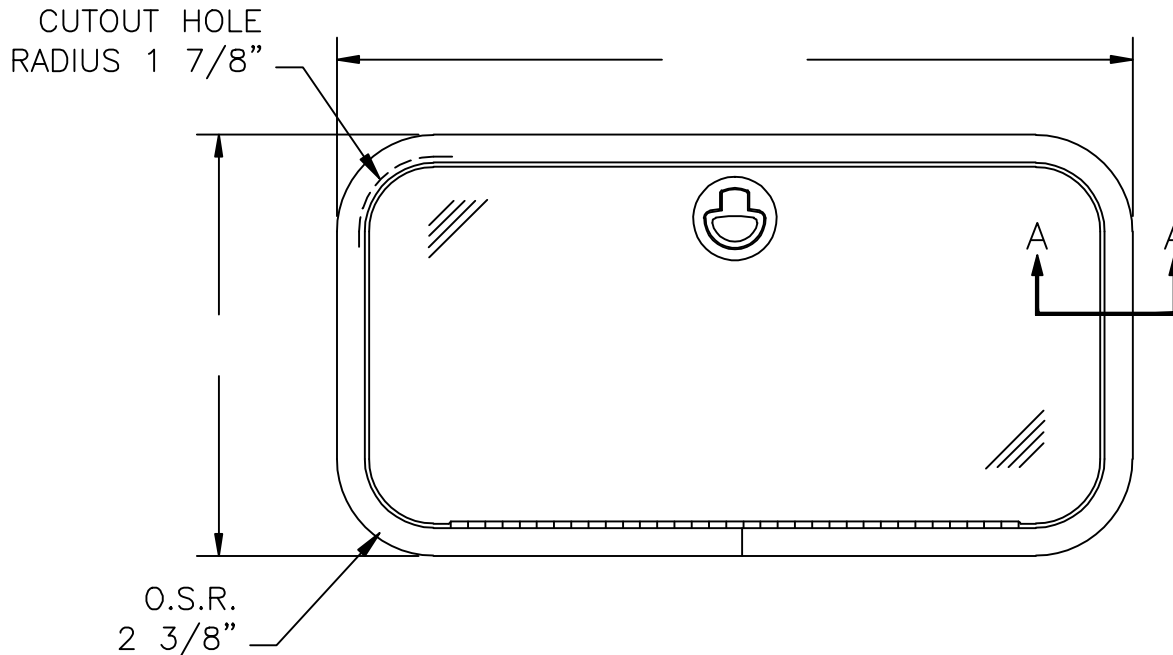



ACCESS DOOR

POWDER COATED ALUMINUM FRAME EXTRUSION #1064 WITH FLUSH PULL LATCH



- NOTES:
1. BENT ALUMINUM POWDER COATED FRAME WITH PUSH IN WATER SEAL
 2. DOOR OPTIONS: PLEXIGLASS OR STARBOARD
 3. STAINLESS STEEL PIANO HINGE
 4. HANDLE: SOUTHCO FLUSH LATCH LOCKING OR NON-LOCKING STAINLESS STEEL OR PLASTIC
 5. MOUNTING HOLES: LOCATED THROUGH INSIDE WALL OF FRAME FOR HIDDEN FASTENER MOUNTING

NOTES: DIMENSIONS ARE OUTSIDE MEASUREMENTS (CUTOUT DIMENSIONS CAN BE DETERMINED BY REDUCING OUTSIDE DIMENSIONS BY 1")

 Teak Isle, Mfg. 401 Capitol Court P.O. Box 417 Ocoee, FL 34761	COMPANY NAME:		MODEL: *
	TITLE: ACCESS DOOR ALUMINUM FRAME WITH FLUSH PULL LATCH		DRAWN BY: <i>Randy Beckwith</i>
	PART#: SAMPLE 10		DATE: 1/2007
	CAD/CAM #: *		SHEET 1 OF 1 SIZE DWG. A SCALE: NTS