

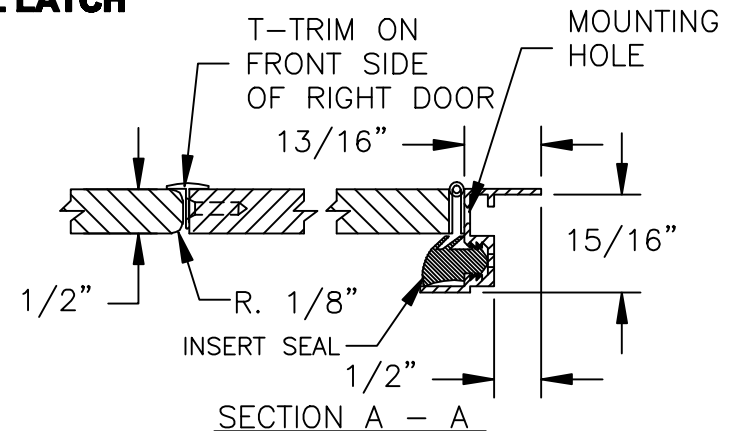
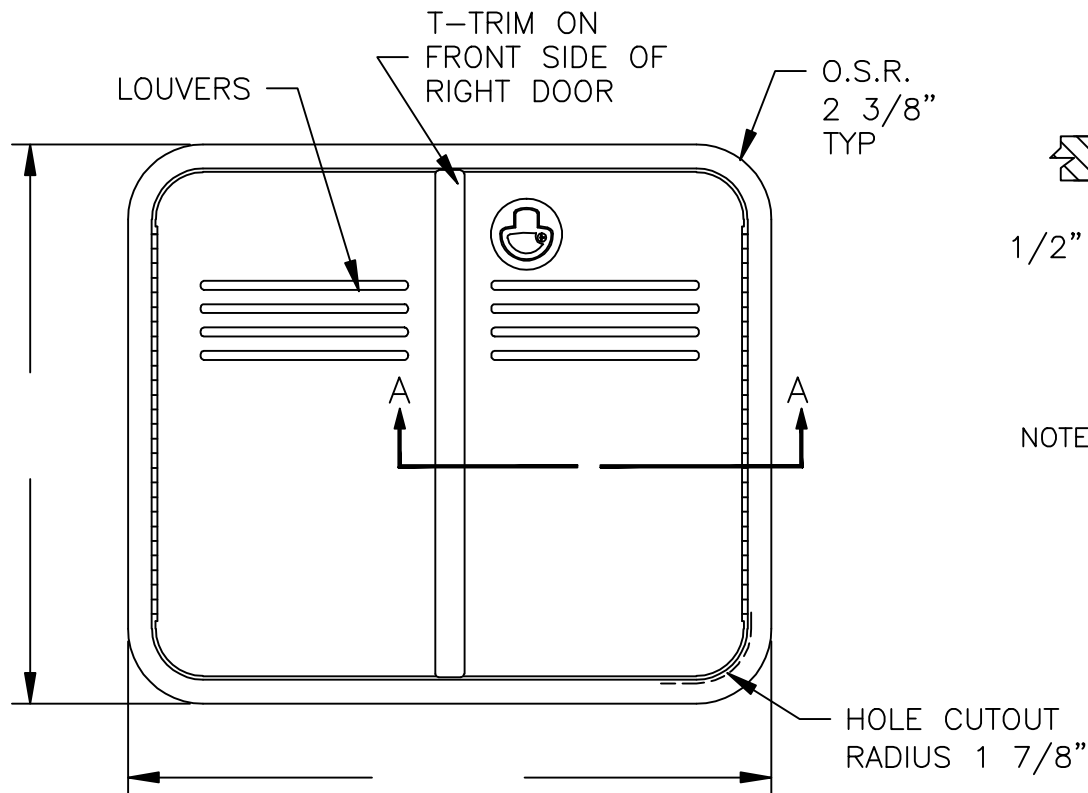
# ACCESS DOOR DOUBLE OPEN OUT

ALUMINUM POWDER COATED FRAME

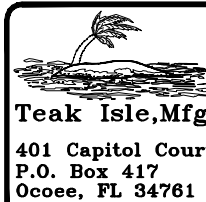
EXTRUSION #1064

STARBOARD DOOR WITH LOUVERS

WITH FLUSH PULL LATCH



- NOTES:
1. DIMENSIONS ARE OUTSIDE MEASUREMENTS (CUTOUT DIMENSIONS CAN BE DETERMINED BY REDUCING OUTSIDE DIMENSIONS BY 1")
  2. BENT ALUMINUM POWDER COATED FRAME WITH PUSH IN WATER SEAL
  3. STARBOARD DOOR
  4. STAINLESS STEEL PIANO HINGE
  5. FLUSH PULL LATCH LOCKING OR NON-LOCKING IN STAINLESS STEEL OR PLASTIC
  6. MOUNTING HOLES LOCATED THROUGH INSIDE WALL OF FRAME FOR HIDDEN FASTENER MOUNTING



COMPANY NAME:	MODEL:	
<b>TITLE: ACCESS DOOR DOUBLE OPEN W/ FLUSH PULL LATCH</b>	DRAWN BY: <i>Randy Beckwith</i>	SHEET 1 OF 1
PART#: SAMPLE 26	<b>TOLERANCES: ±1/32"</b>	SIZE DWG. A
	DATE: 1/2007	SCALE: NTS
	CAD/CAM #:	