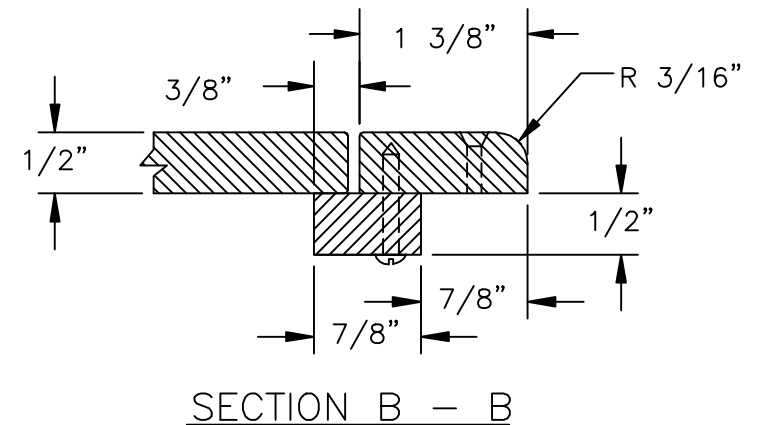
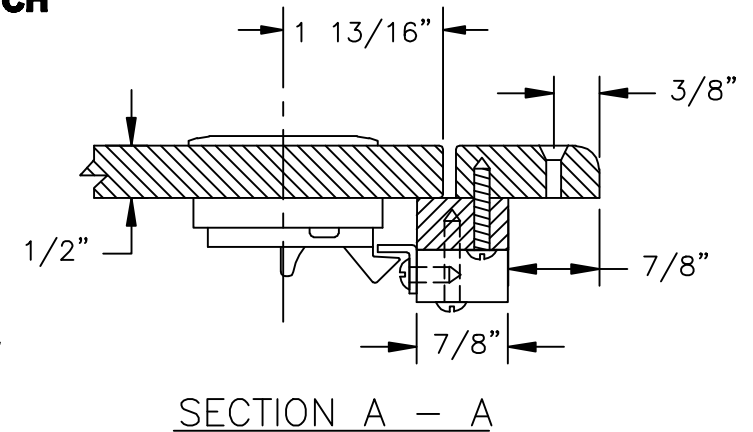
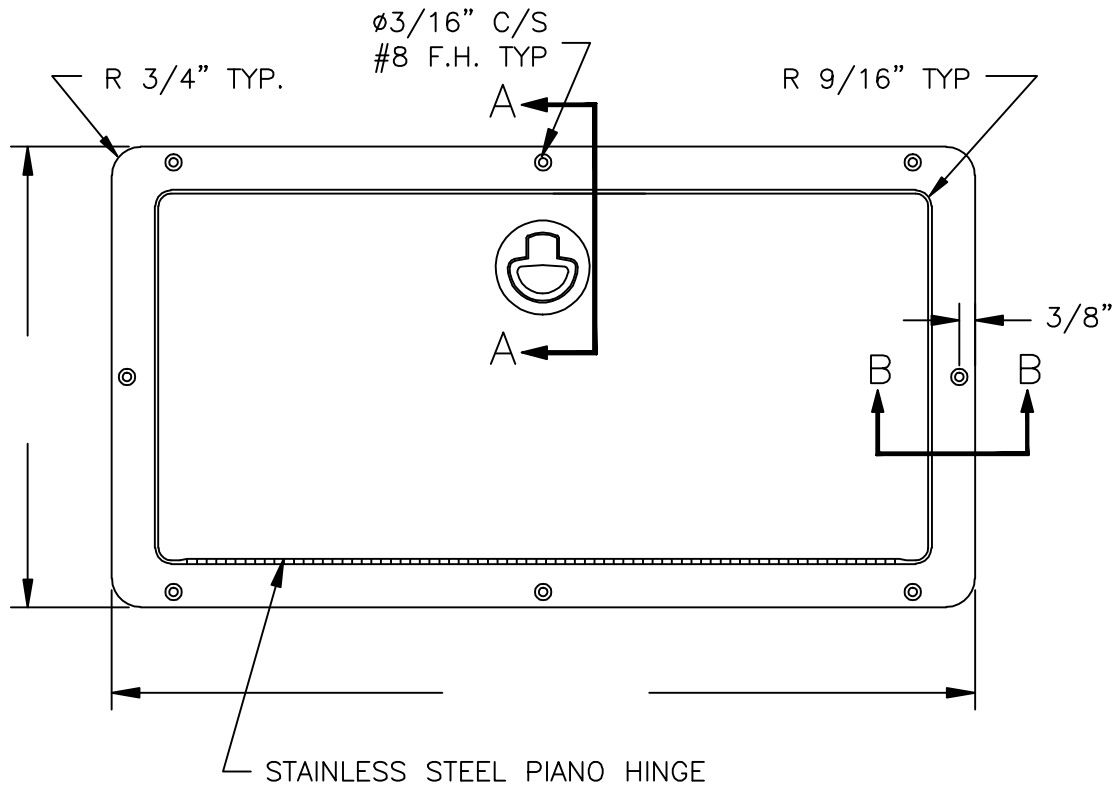


ACCESS DOOR

STARBOARD FRAME/ STARBOARD DOOR WITH FLUSH PULL LATCH



NOTES: 1. DIMENSIONS ARE OUTSIDE MEASUREMENTS
(CUTOUT DIMENSIONS CAN BE DETERMINED
BY REDUCING OUTSIDE DIMENSIONS BY $1\ 3/4"$)

2. STARBOARD DOOR & FRAME
3. STAINLESS STEEL PIANO HINGE
4. FLUSH PULL LATCH
LOCKING OR NON-LOCKING IN
STAINLESS STEEL OR PLASTIC



COMPANY NAME:		MODEL: *	
TITLE: ACCESS DOOR W/ FLUSH PULL LATCH		DRAWN BY: <i>Randy Beckwith</i>	SHEET 1 OF 1
		TOLERANCES: $\pm 1/32"$	SIZE DWG. A
PART #: SAMPLE 29		DATE: 1/2007	SCALE: NTS
		CAD/CAM #: *	