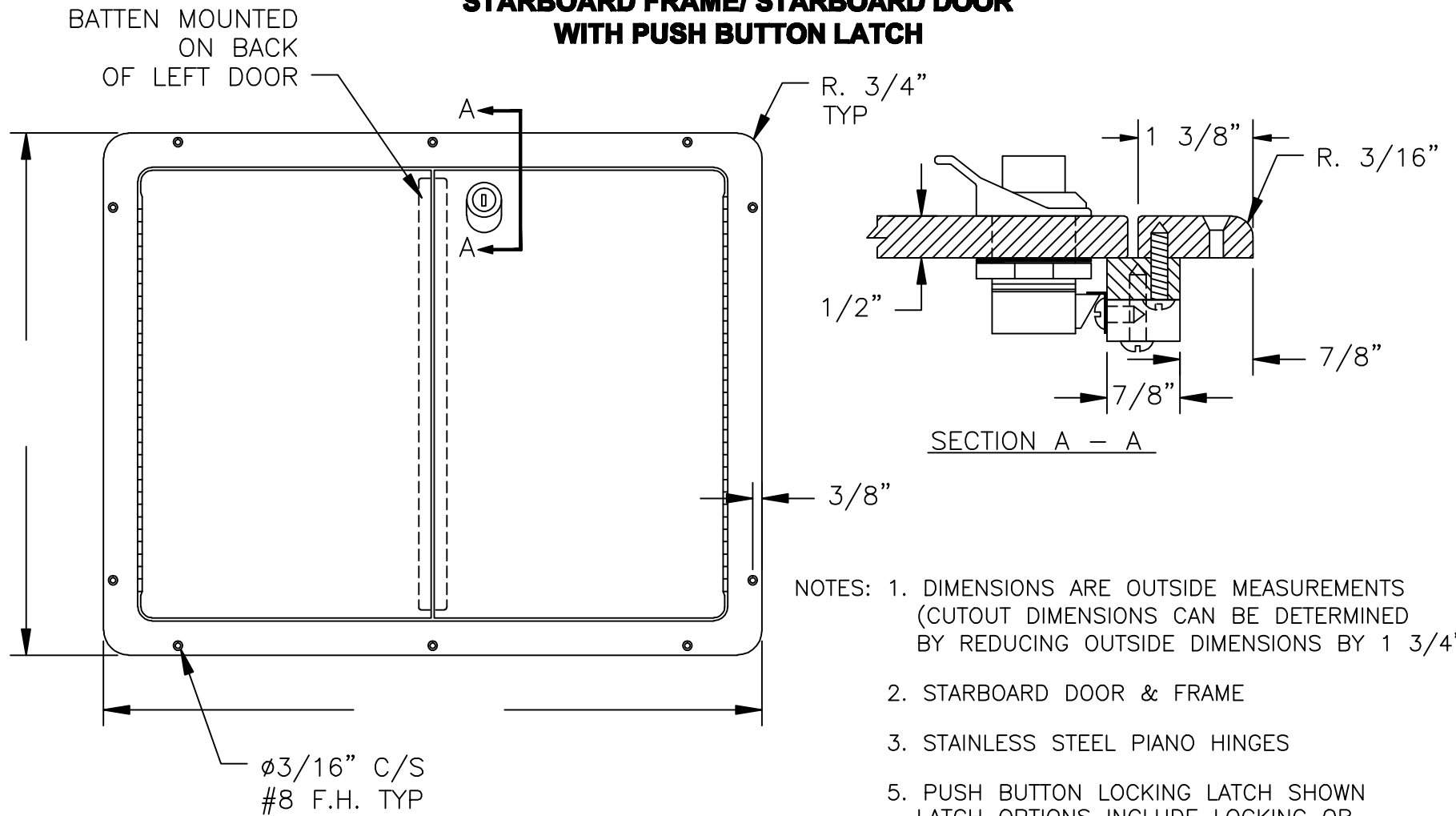


ACCESS DOOR DOUBLE OPEN OUT

STARBOARD FRAME/ STARBOARD DOOR WITH PUSH BUTTON LATCH



COMPANY NAME:		MODEL: *	
TITLE: DOUBLE ACCESS DOOR W/ PUSH BUTTON LATCH	DRAWN BY: <i>Randy Beckwith</i>	SHEET <u>1</u> OF <u>1</u>	
	TOLERANCES: ±1/32"		SIZE DWG. A
	DATE: 1/2007		SCALE: NTS
PART#: SAMPLE 25	CAD/CAM #: *		