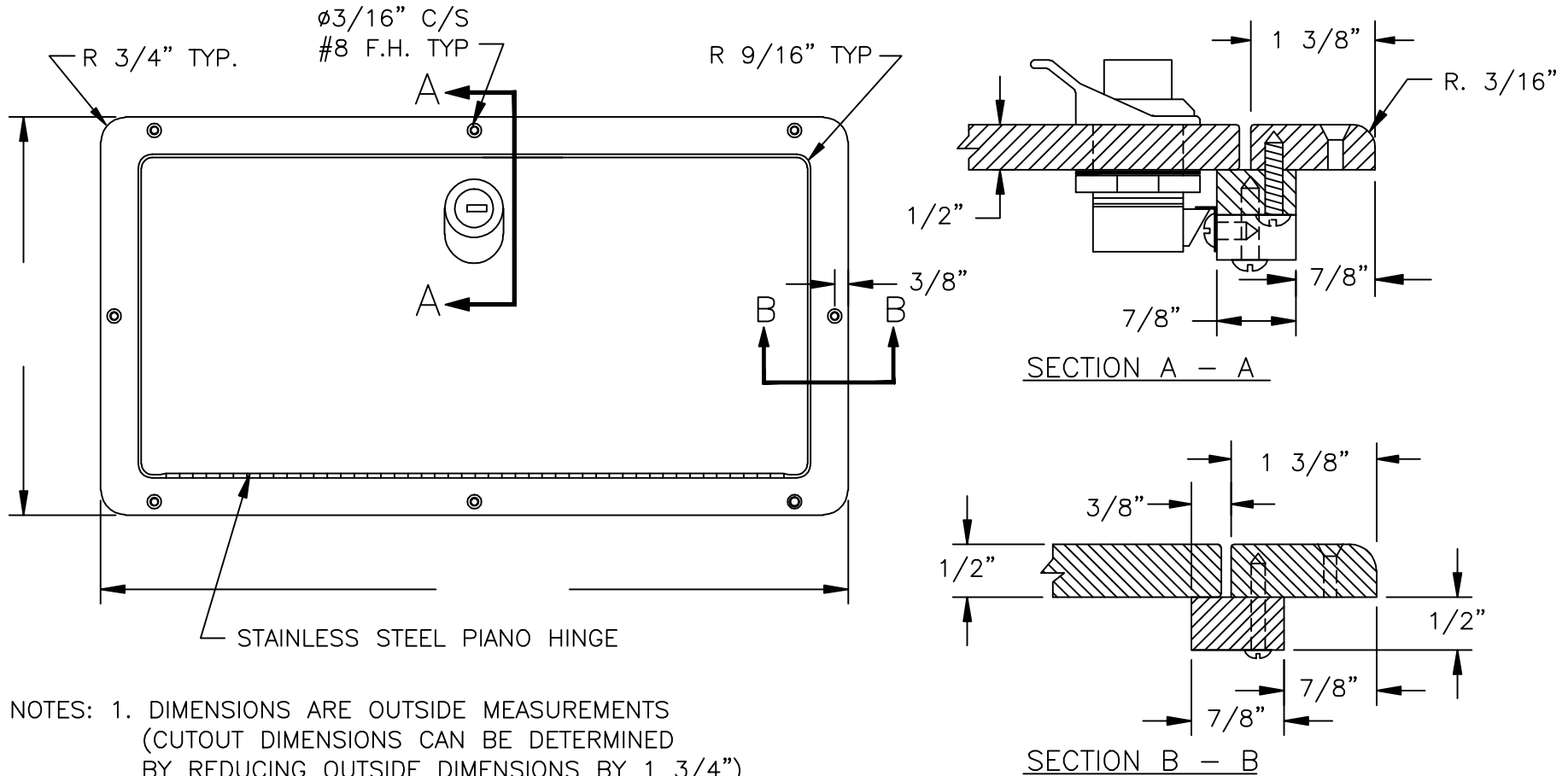



# ACCESS DOOR

## STARBOARD FRAME/ STARBOARD DOOR WITH PUSH BUTTON LATCH



NOTES: 1. DIMENSIONS ARE OUTSIDE MEASUREMENTS  
(CUTOUT DIMENSIONS CAN BE DETERMINED  
BY REDUCING OUTSIDE DIMENSIONS BY 1 3/4")

2. STARBOARD DOOR & FRAME
3. STAINLESS STEEL PIANO HINGE
5. PUSH BUTTON LOCKING LATCH

 <b>Teak Isle, Mfg.</b> 401 Capitol Court P.O. Box 417 Ocoee, FL 34761	COMPANY NAME:		MODEL:	
	<b>TITLE:</b> <b>ACCESS DOOR                  W/ PUSH BUTTON LATCH</b>		DRAWN BY: <i>Randy Beckwith</i> <b>TOLERANCES: ±1/32"</b>	SHEET 1 OF 1
	PART#: SAMPLE 7		DATE: 1/2007	SCALE: NTS
			CAD/CAM #:	