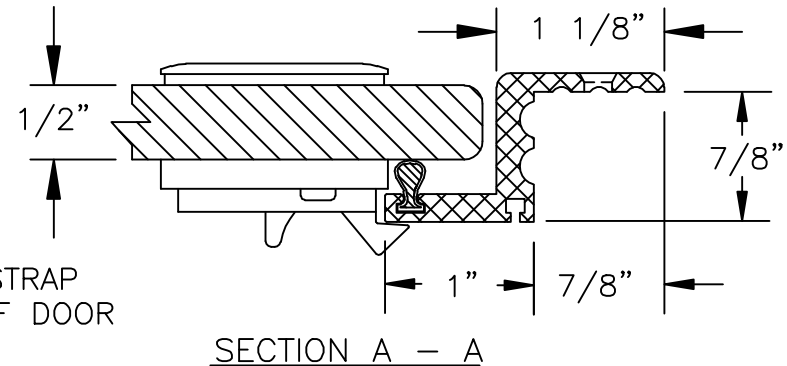
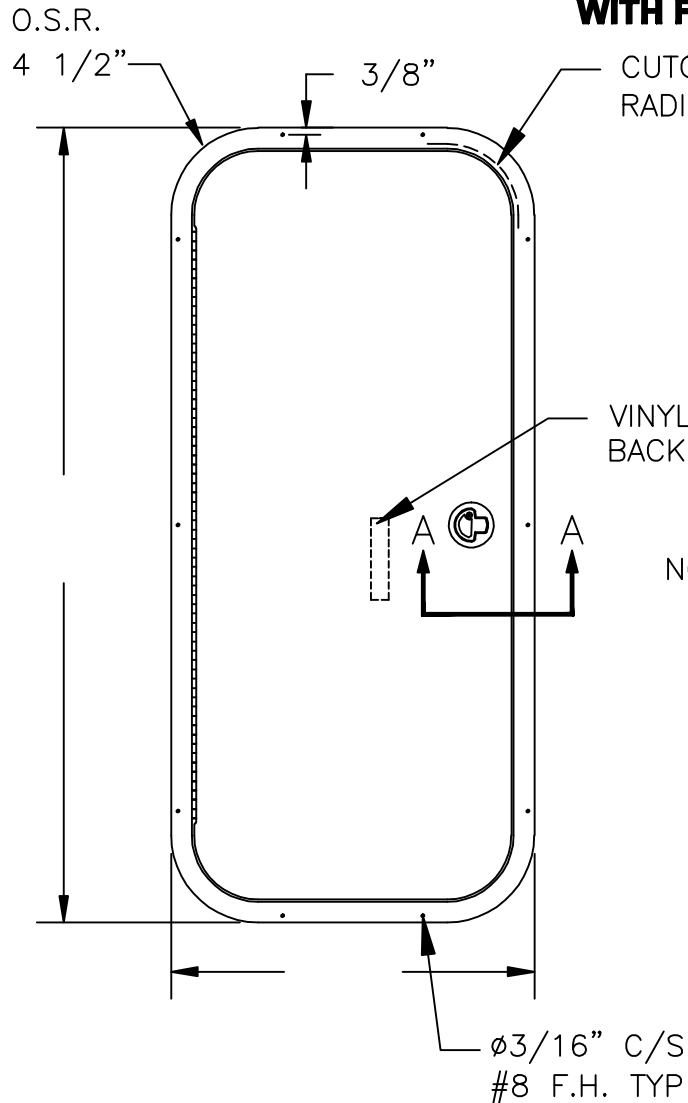



CENTER CONSOLE DOOR

**POWDER COATED ALUMINUM FRAME
EXTRUSION #2062
WITH FLUSH PULL LATCH**



- NOTES: 1. DIMENSIONS ARE OUTSIDE MEASUREMENTS (CUTOUT DIMENSIONS CAN BE DETERMINED BY REDUCING OUTSIDE DIMENSIONS BY 1 3/4")
2. BENT ALUMINUM POWDER COATED FRAME WITH SLIDE IN WATER SEAL
 3. DOOR OPTIONS: PLEXIGLASS OR STARBOARD
 4. STAINLESS STEEL PIANO HINGE
 5. LOCKING FLUSH LATCH IN STAINLESS STEEL OR PLASTIC
 6. LOUVERS CAN BE ADDED FOR VENTILATION

 Teak Isle, Mfg. 401 Capitol Court P.O. Box 417 Ocoee, FL 34761	COMPANY NAME: *		MODEL: *
	TITLE: CENTER CONSOLE DOOR W/ FLUSH PULL LATCH		DRAWN BY: <i>Randy Beckwith</i> TOLERANCES: ±1/32"
	PART#: SAMPLE 12		SHEET 1 OF 1 SIZE DWG. A SCALE: NTS
			DATE: 1/2007 CAD/CAM #: *